

SONY.

Hi-Fi Products
Service Bulletin

CSA-13

Sony Service Company - Technical Services
A Division of Sony Electronics
Sony Drive, Park Ridge, New Jersey 07656

Model: TC-W32

No. 349

Subject: Part Number Missing - Reference No. *Not Supplied*, pinch roller

Date: August 12, 1993

Symptom:
(**)

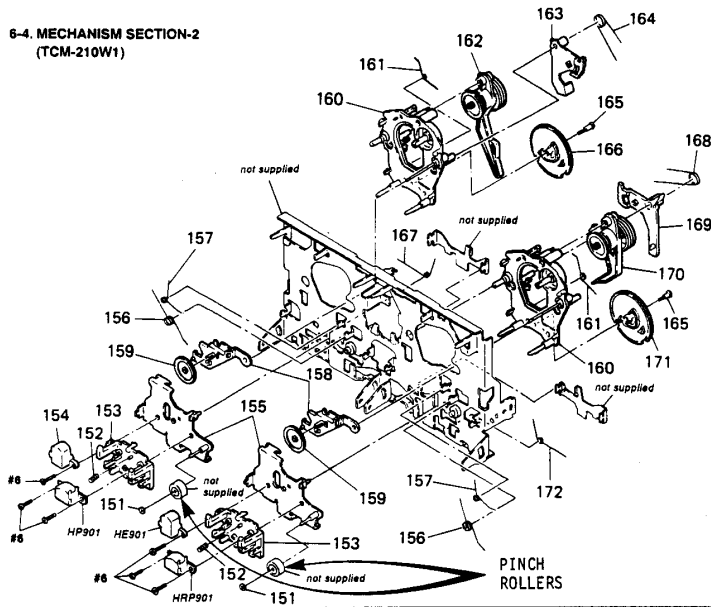
The part number for the pinch roller, which is shown on page 25 of the Service Manual as *Not Supplied*, is not listed in the parts list.

Solution:

Please add the following part number to the Service Manual.

REF	DESCRIPTION	PART NUMBER
NOT SUPPLIED	PINCH ROLLER	3-355-808-02

6-4. MECHANISM SECTION-2
(TCM-210W1)



Reference: FPR-01817
Autoflagged - NO



PRINTED IN USA
CSA-13793-6